



SCHWING
AMERICA INC.

S 31 EZ

*Truck-Mounted Concrete Pump
with Telescopic Placing Boom*




INNOVATIVE EFFECTIVE EFFICIENT

Telescopic boom versatility combines with operational ease to provide maximum utilization with the new **S 31 EZ**.

This is a concrete pump that is really two machines in one. In low overhead situations the boom needs only 18'-8" unfolding clearance to provide 87-feet of horizontal reach. The 15'-2" of smooth telescoping action with **Auto-Scissors** pipeline allows the operator to keep the boom safely in the operational zone while providing pinpoint accuracy. Simply swing and retract or extend horizontally. No need to adjust multiple boom sections or rely on complicated boom position sensors to keep the hose

out of the pour. When pouring in front of a laser screed, the telescoping action is particularly convenient. When booming to a mezzanine or elevated deck, the telescoping action gives added confidence with point and shoot precision. After completing low overhead indoor work, the **S 31 EZ** transitions seamlessly to everyday outdoor jobs like walls and slabs. It sets up quickly and uses pin-point placement for smooth pumping on a wide variety of projects. No other pump matches the versatility of this one-of-a-kind machine that owners report is the most requested pump in their fleet.



Patented **Auto-Scissors** pipeline adjusts to all boom positions without exceeding overall height for reliable delivery of concrete to the end hose.

PRECISION PLACEMENT FROM

A TO

- Indoor Pours
- Footings
- Walls
- Slope Walls
- Mezzanine Pours
- Flatwork
- Enclosed Basements
- ...and More!

Backing up this ultra-smooth boom is the Generation III pump kit with up to 170 cu.yds./hr output. This is the most refined pumping system available with quiet operation at all speeds. The twin pumping

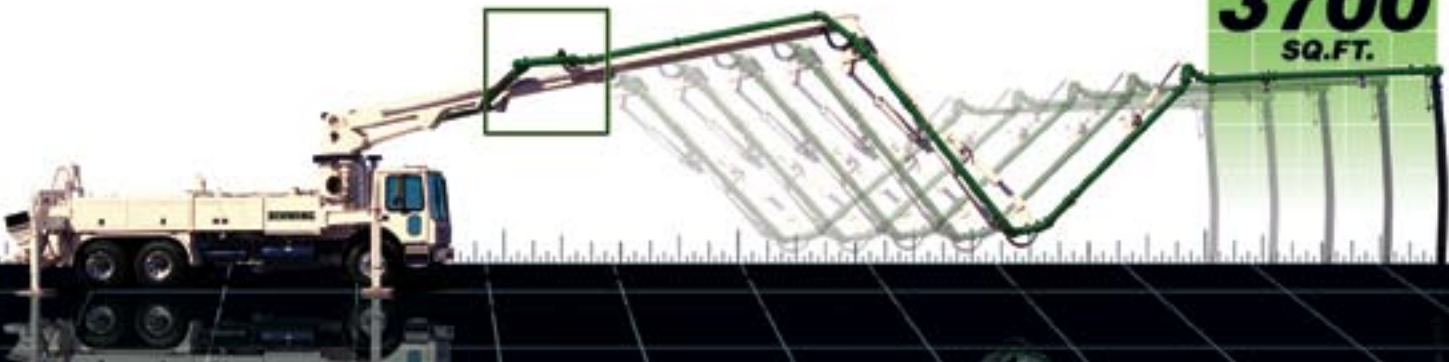
cylinders are sequenced by the exclusive Schwing Rock Valve™ - the most popular valve with the lowest maintenance cost per yard. As your only pump or as an addition to a fleet, the **S 31 EZ** has it all - boom reach,

versatility and the ability to perform in tight situations. That's the maximum utilization every contractor needs to perform in a today's competitive market. Solutions, Value, Success - only from Schwing.



**ADDITIONAL
TELESCOPIC
COVERAGE**

**3700
SQ.FT.**

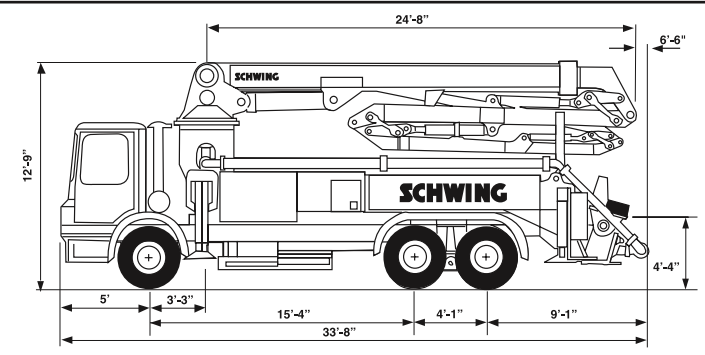
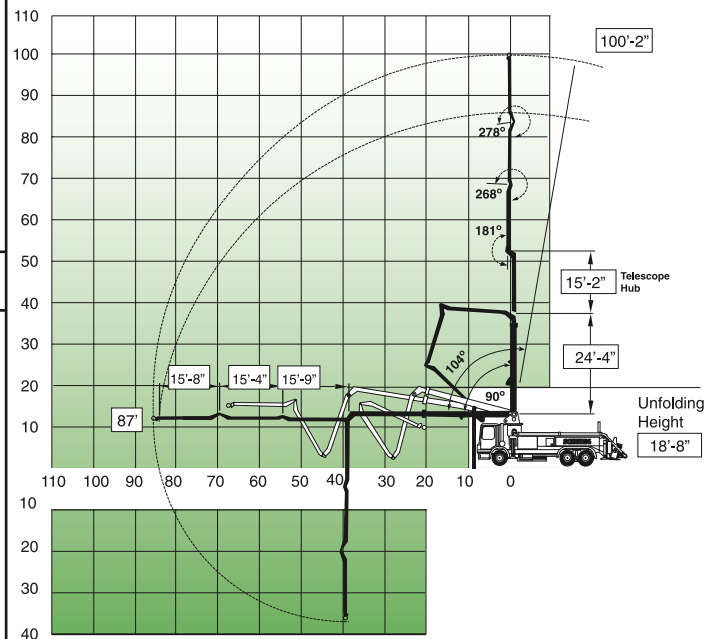




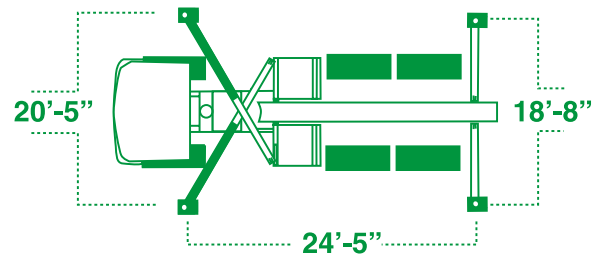
Pump Kit		2023-4
Theor. Concrete Output (cu./yds/hr)		170
Max. Pressure on Concrete (psi)		1007
Max. Strokes/Min.		26
Pump Cylinder Diameter (in.)		9
Pump Cylinder Stroke Length (in.)		79
Differential Cylinder Size (in.)		5.1
Max. Aggregate Size (in.)		2.5
Hydraulic System Pressure (psi)		5075

Boom Specifications	U.S.	Metric
Pipeline Diameter	5"	125 mm
Vertical Reach	100'-2"	31 m
Reach from Slewing Axis	87'	27 m
Height of Folding Point (#1 hub)	12'-3"	32 m
Height of other 3 folding points	#1 retracted #1 extended	
Pivot between #1 and #2	36'-9"	52'-0"
Pivot between #2 and #3	52'-8"	67'-11"
Pivot between #3 and #4	68'-1"	83'-2"
Minimum Unfolding Height	18'-8"	5.7 m
Slewing Range ^a	545°	545°
End hose length	12'-6"	3.8 m

Specifications are subject to change without prior notice. ^a Electrical wire/hydraulic hose limitations



Maximum stability in the smallest space is provided by the "X" style hydraulic outriggers.



SCHWING
AMERICA INC.

5900 Centerville Road
St. Paul, MN 55127
Tel 651-429-0999
Fax 651-429-3464
www.schwing.com

Represented by